



Full HD Video Conferencing PTZ Camera

VC-12RU



1080P



72.5° Wide Angle Lens



12×Optical Zoom



Full Function USB Interface



Remote Control

1080P USB PTZ Camera, quipped with ~12X, 72.5° HFoV len,plug and play, budget friendly solution for medium-size and large conference room.



Features

▼ 1080P

Use a high -quality 1/2.8 inches FHD CMOS sensor with 2.07 million pixels. Support max 1080P60fps image output and multiple lower resolutions like 720p.

▼ 72.5° Wide-angle Lens + 12×Optical Zoom

1080P optical lens, support max 12× optical zoom and 72.5 ° horizontal field of view, support 16 times digital zoom.

▼ Remote Control

Support RS232 remote control.

▼ Full Function USB Interface

Full -function USB interface, supports UVC 1.1 protocols, supports video original images and encoding image output.

▼ Ultra -high Compatibility

Support mainstream video conference software on the market.

▼ Low Illumination

The new generation high performance CMOS image sensor can significantly reduce the image noise in low illumination. With the 2D and 3D noise reduction algorithms, even in an ultra-low illumination environment, camera can still deliver a sharp and clean image with more than 55dB S/N ratio.



▼ Camera Spec

Signal System	1080P, 720P, 540P, 480P, 360P, 240P
Sensor	1/2.8 inches, CMOS, Effective Pixels:2.07 Megapixe
Scanning Mode	Progressive
Lens	12x, f3.5mm ~ 42.3mm, F1.8 ~ F2.8
Digital Zoom	16x
Minimum Illumination	0.5Lux @ (F1.8, AGC ON)
Shutter	1/30s ~ 1/10000s
White Balance	Auto, Indoor, Outdoor, One Push, Manual, VAR
Backlight Compensation	Support
Digital Noise Reduction	2D&3D Digital Noise Reduction
SNR	≥ 55dB
Horizontal FOV	72.5° ~ 6.9°
Vertical FOV	44.8° ~ 3.9°
Pan Angle	±170°
Tilt Angle	-30° ~ +90°
Pan Speed	1.7° ~ 100° /s
Tilt Speed	1.7° ~ 69.9° /s
Image Flip	Support
Image Freeze	Support
Preset Position	255
Preset Accuracy	0.1°

▼ USB Spec

Operating System Supported	Windows 7, Windows 8, Windows 10, Mac OS X, Linux, Android
Color System / Compression	YUY2 / H.264 / MJPEG
Video Format	YUY2: Max. 1080P5; H.264 AVC: Max. 1080P30; MJPEG: Max. 1080P60
USB Video Communication Protocol	UVC 1.1
UVC PTZ Control	Support

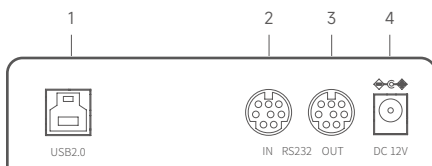
▼ I/O

USB Interface	1 x USB 2.0, Type-B
Control Interface	1 x RS232 IN: 8pin Mini DIN, Max Distance: 30m, Protocol: VISCA / Pelco-D / Pelco-P 1 x RS232 OUT: 8pin Mini DIN, Max Distance: 30m, Protocol: VISCA only
Power Interface	JEITA type (DC IN 12V)

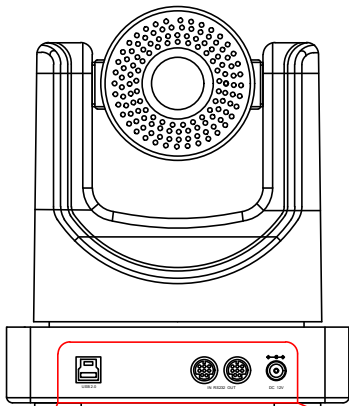
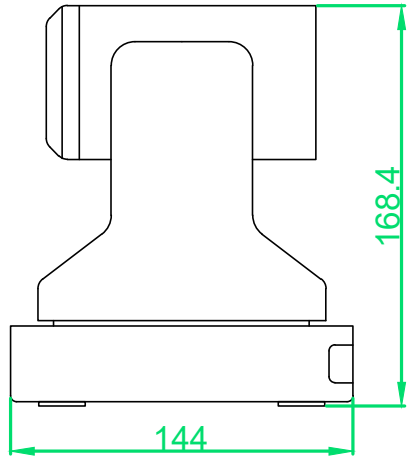
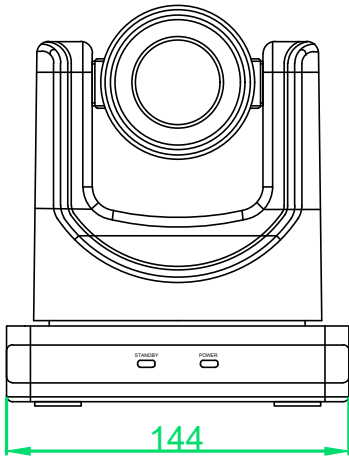
▼ Generic Spec

Input Voltage	DC 12V
Input Current	1A
Operating Temperature	-10° C ~ 40° C
Storage Temperature	-40° C ~ 60° C
Power Consumption	12W
No Failure Time	>30000 hours
Dimension	144mmx144mmx168.4mm
Net Weight	1.35kg

Interface Diagram



- 1 — USB 2.0
- 2 — RS232 IN
- 3 — RS232 OUT
- 4 — DC 12V



- USB CABLE
- RS232 CABLE
- RS232 CABLE
- POWER CABLE

