

## Omnidirectional DigitalArray Microphone

MA-9U

Omidirectional digital array microphone, up to 8meters voice pickup, minimal configuration, plug and play.



### Features

▼ **Digital Array Microphone, Long Distance Voice Pickup**

Digital array microphone, 8-meter distance voice pickup. A hands-free lecture and presentation solution.

▼ **Intelligent Voice Tracking**

Adaptive blind beamforming technology provides adaptability to different sound environments. With speech reinforcement, the microphone minimizes interference and keeps speech clear.

▼ **Multiple Audio Algorithms, High Quality of Sound**

Using proprietary technologies including intelligent noise reduction, echo cancellation and reverberation suppression to ensure clear sound quality and comfortable communication. Less requirements of the classroom decoration. Supports full duplex communication.

▼ **Simply Installation, Plug and Play**

Using standard USB2.0 and 3.5 mm audio interface, zero configuration design, plug and play. Simple system and compact appearance, easy to install and maintain. Supports dual-mode (digital, analog) output.

## Digital Array Microphone



High SNR ring microphone array design, clear pickup from long distance. Let the speaker move around more freely in the room and get rid of the constraints.

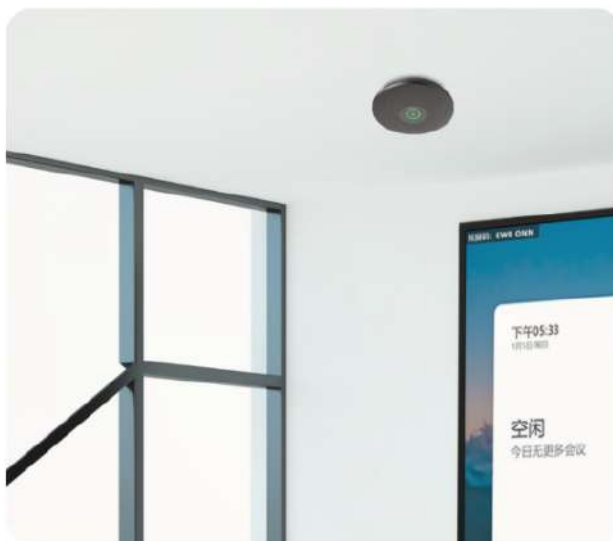
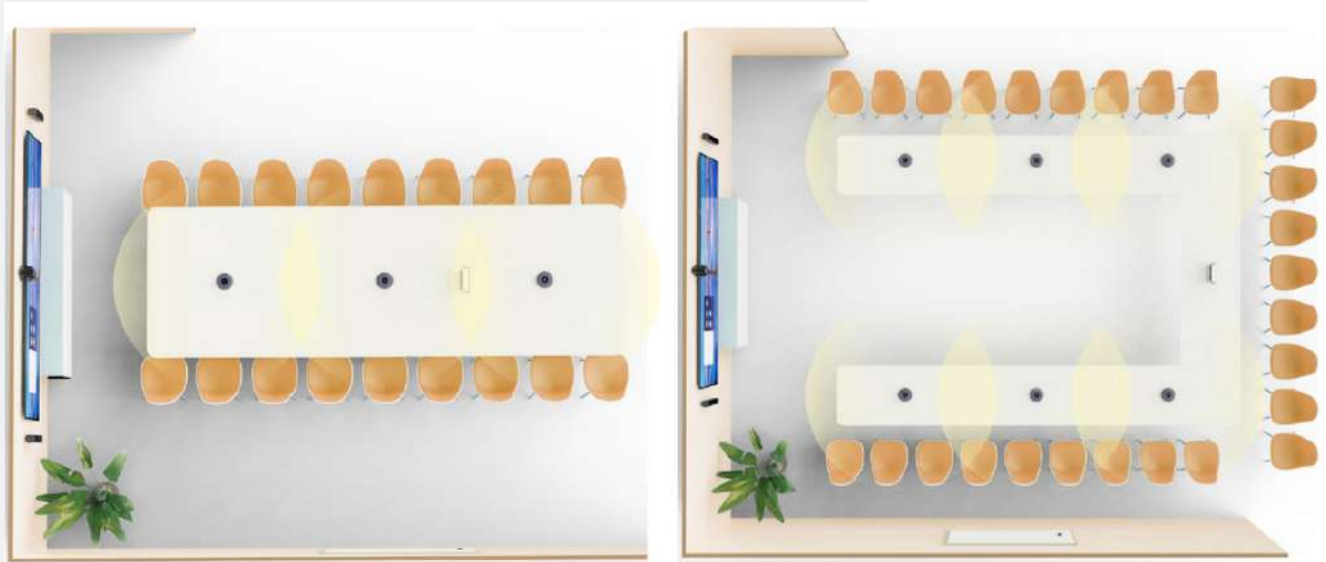


## Intelligent Voice Tracking

With blind beamforming technology, precise positioning, adaptive sound field environment can achieve voice enhancement and better anti-interference ability.

## Even Coverage of Conference Room Pickup

8-meters voice pickup, distributed sound pickup and interaction can evenly cover the space of large and medium-sized conference rooms.



## Flexible Installation for Lifting/Ceiling/Wall Mounting

Support multiple installation methods such as desktop and lifting, flexible and fast deployment, and reduce operation and maintenance costs.

## Specification

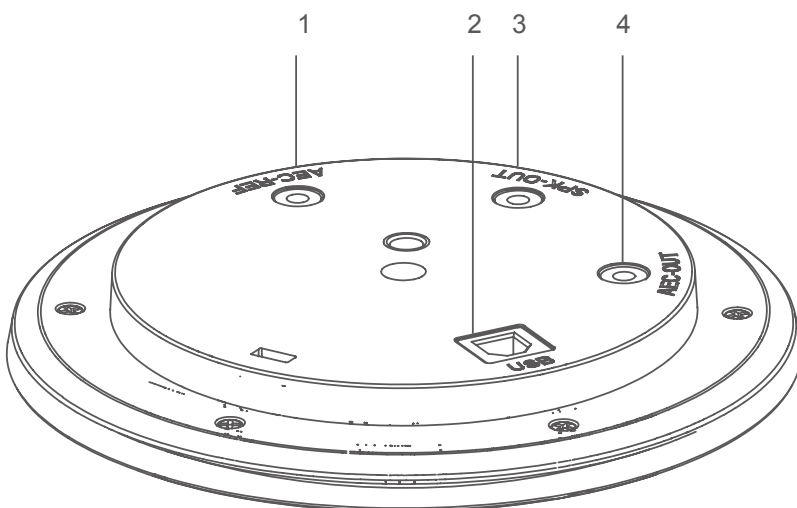
Audio Parameters	
Microphone Type	Digital Array Microphone
Microphone Array	Built-in 7 mics to form a circular array microphone
Pickup Distance	8m
Sensitivity	-26 dBFS
SNR	64 dB(A)
Frequency Response	20Hz - 16kHz
USB Protocol	Support UAC
Automatic Echo Cancellation (AEC)	Support
Automatic Noise Suppression (ANS)	Support
Automatic Gain Control (AGC)	Support

Hardware I/O	
Audio Input	1 x 3.5mm line in
Audio Output	2 x 3.5mm line out
USB Interface	USB audio interface (Type-B), support UAC1.0 protocol, audio data communication, software upgrade and parameter configuration
Generic Spec	
Power Input	USB DC5V
Dimension	Φ 130mm x H33mm

## Dimension



## Ports & Components



- 1 — AEC REF
- 2 — USB
- 3 — SPK OUT
- 4 — AEC OUT

## Digital Audio Signal Processor

### MA-9UP

Digital audio processor, powerful processor and multiple interfaces, max can support 6 units of MA-9U microphones.



## Features

### ▼ Professional Digital Audio Processor

Adopting dedicated chips, embedded architecture, professional digital audio processing, precise volume control, and high efficiency, Low latency makes the system safer, more stable, and more reliable.

### ▼ Audio Algorithm

Integrated Automatic Noise Suppression (ANS), Automatic Gain Control (AGC), Automatic Echo Cancellation (AEC), New generation digital audio technologies such as automatic equalization, intelligent microphone mixing, and anti-reverberation.

### ▼ Cascade

Support up to 6 cascaded microphone inputs and 4 linear inputs. Support for extended wireless microphone, 4-way Linear output, USB audio input and output.

### ▼ Plug and Play Wiring is Simple

Supports standard POE to power digital microphones, with RJ45, USB, and linear audio interface connections. Plug and play, simple engineering wiring, long-distance transmission, and strong anti-interference ability.



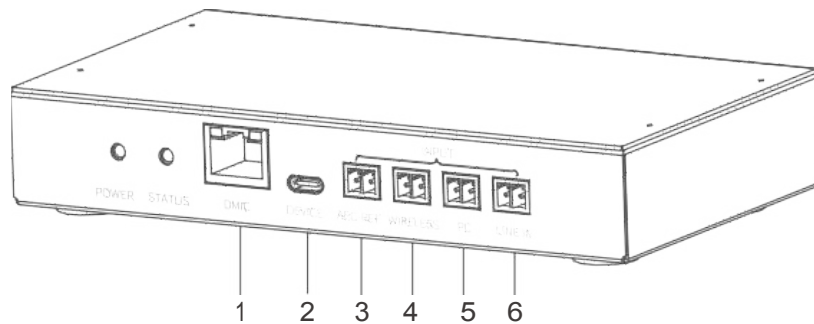
# Specification

HardwareInterface	
Network Interface	1 × Uplink LAN interface ; 1 × Downlink cascaded DMIC interface, with up to 6 levels of microphone cascaded
USB Interface	1 × DEVICE interface, used as a USB audio device to connect to a USB host (such as a PC); 1 × HOST interface, used as a USB host to connect USB devices
Audio Interface	4 × Input Phoenix terminal interface, unbalanced linear audio input; 4 × OUTPUT Phoenix terminal interface, unbalanced linear audio output
Power Interface	DC 12V
Key (M702A)	Tap the button (mute button with light indication)

Hardware I/O	
Power	DC 12V/3A
POE	POE 48V power supply, supporting IEEE802.3 AT
Dimension	160mm × 88mm × 27mm
Net Weight	Approx 0.4Kg

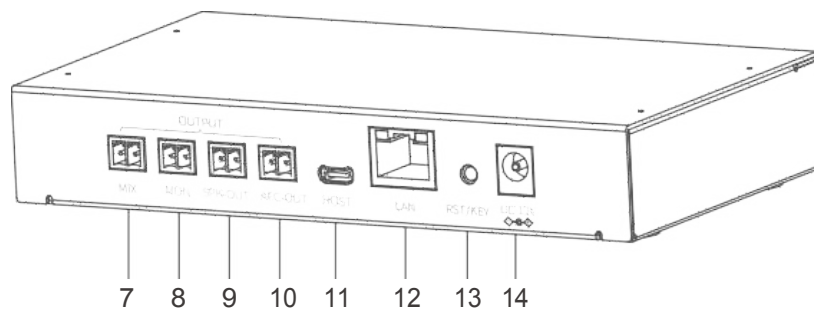
## Ports & Components

Front



- |             |              |
|-------------|--------------|
| 1 — DMIC    | 4 — WIRELESS |
| 2 — Type-C  | 5 — PC       |
| 3 — AEC-REF | 6 — LINE IN  |

Back



- |              |              |
|--------------|--------------|
| 7 — MIX      | 11 — HOST    |
| 8 — MON      | 12 — RJ45    |
| 9 — SPK-OUT  | 13 — RST/KEY |
| 10 — AEC-OUT | 14 — Power   |